

### Lead in Drinking Water Test Results

As of 10/9/18

Sample Location	Fixture Type	1 <sup>st</sup> Draw Results (ppb)	15 Second Draw Results (ppb)	60 Second Draw Results (ppb)	Remedial Recommendation	Remedial Response	Post Remediation Test Results (ppb)
Kitchen Handwash @ (A)	SK	<2.5	-	-	None	-	-
Kitchen Food Prep	SK	<2.5	-	-	None	-	-
Kitchen Food Prep	SPRAY	<2.5	-	-	None	-	-
Kitchen 3 Compartment @ (A)	SK	<2.5	-	-	None	-	-
Kitchen 3 Compartment @ (B)	SK	<2.5	-	-	None	-	-
Kitchen 3 Compartment	SPRAY	<2.5	-	-	None	-	-
Kitchen Center Island	SK	<2.5	-	-	None	-	-
Kitchen Freezer 4	SK	<2.5	-	-	None	-	-
Kitchen Freezer 4	SPRAY	<2.5	-	-	None	-	-
Kitchen Handwash @ (B)	SK	<2.5	-	-	None	-	-
Teacher's Lounge	SK	3.4	-	-	None	-	-
Boy's BR by RM 110 @ (A)	SK	<2.5	-	-	None	-	-
Boy's BR by RM 110 @ (B)	SK	<2.5	-	-	None	-	-
Room 108 Station 1	SK	<2.5	-	-	None	-	-
Room 108 Station 2	SK	<2.5	-	-	None	-	-
Room 108 Station 3	SK	<2.5	-	-	None	-	-
Room 108 Station 4	SK	<2.5	-	-	None	-	-
Girl's BR by RM 104 @ (A)	SK	<2.5	-	-	None	-	-
Girl's BR by RM 104 @ (B)	SK	<2.5	-	-	None	-	-
Service Area Men's	SK	<2.5	-	-	None	-	-
Service Area Women's	SK	<2.5	-	-	None	-	-
Boy's BR by S115 @ (A)	SK	<2.5	-	-	None	-	-

### Lead in Drinking Water Test Results

As of 10/9/18

Sample Location	Fixture Type	1 <sup>st</sup> Draw Results (ppb)	15 Second Draw Results (ppb)	60 Second Draw Results (ppb)	Remedial Recommendation	Remedial Response	Post Remediation Test Results (ppb)
Boy's BR by S115 @ (B)	SK	<2.5	-	-	None	-	-
Nurse's Office	SK	<2.5	-	-	None	-	-
Nurse's Office BR	SK	<2.5	-	-	None	-	-
Boy's BR by Gym Hall @ (A)	SK	<2.5	-	-	None	-	-
Boy's BR by Gym Hall @ (B)	SK	<2.5	-	-	None	-	-
Girl's BR by Gym Hall @ (A)	SK	<2.5	-	-	None	-	-
Girl's BR by Gym Hall @ (B)	SK	<2.5	-	-	None	-	-
HS Coach's BR	SK	<2.5	-	-	None	-	-
Women's PE Office BR	SK	<2.5	-	-	None	-	-
HS Girl's LR BR @ (A)	SK	<2.5	-	-	None	-	-
HS Girl's LR BR @ (B)	SK	<2.5	-	-	None	-	-
HS Girl's LR BR @ (C)	SK	<2.5	-	-	None	-	-
HS Girl's LR BR @ (D)	SK	<2.5	-	-	None	-	-
HS Boy's LR BR @ (A)	SK	<2.5	-	-	None	-	-
HS Boy's LR BR @ (B)	SK	<2.5	-	-	None	-	-
MS Girl's Coach's BR	SK	<2.5	-	-	None	-	-
MS Girl's LR BR @ (A)	SK	5.7	-	-	None	-	-
MS Girl's LR BR @ (B)	SK	12	-	-	None	-	-
MS Girl's LR BR @ (C)	SK	4.1	-	-	None	-	-
MS Boy's LR BR @ (A)	SK	7.6	-	-	None	-	-
MS Boy's LR BR @ (B)	SK	<2.5	-	-	None	-	-
MS Boy's LR BR @ (C)	SK	<2.5	-	-	None	-	-

### Lead in Drinking Water Test Results

As of 10/9/18

Sample Location	Fixture Type	1 <sup>st</sup> Draw Results (ppb)	15 Second Draw Results (ppb)	60 Second Draw Results (ppb)	Remedial Recommendation	Remedial Response	Post Remediation Test Results (ppb)
MS Boy's Coach's BR	SK	<2.5	-	-	None	-	-
Teacher's BR by RM 150 @ (A)	SK	<2.5	-	-	None	-	-
Teacher's BR by RM 150 @ (B)	SK	<2.5	-	-	None	-	-
Teacher's BR by RM 150 @ (C)	SK	<2.5	-	-	None	-	-
Teacher's Ladies BR by RM 150 @ (A)	SK	<2.5	-	-	None	-	-
Teacher's Ladies BR by RM 150 @ (B)	SK	<2.5	-	-	None	-	-
Teacher's Ladies BR by RM 150 @ (C)	SK	<2.5	-	-	None	-	-
Lower Level Girl's BR @ (A)	SK	<2.5	-	-	None	-	-
Lower Level Girl's BR @ (B)	SK	<2.5	-	-	None	-	-
Lower Level Girl's BR @ (C)	SK	<2.5	-	-	None	-	-
Lower Level Boy's BR @ (A)	SK	<2.5	-	-	None	-	-
Lower Level Boy's BR @ (B)	SK	<2.5	-	-	None	-	-
Girl's BR by ACC Lab @ (A)	SK	<2.5	-	-	None	-	-
Girl's BR by ACC Lab @ (B)	SK	<2.5	-	-	None	-	-
Women's Faculty BR by MED @ (A)	SK	<2.5	-	-	None	-	-
Women's Faculty BR by MED @ (B)	SK	<2.5	-	-	None	-	-
Men's Faculty BR by MED @ (A)	SK	<2.5	-	-	None	-	-
Men's Faculty BR by MED @ (B)	SK	<2.5	-	-	None	-	-
<b>Library</b>	<b>SK</b>	<b>23</b>			<b>FR</b>	<b>Completed FR</b>	<b>1.4</b>
Principal's BR	SK	<2.5	-	-	None	-	-
Principal's Conference RM 213	SK	<2.5	-	-	None	-	-
Main Hall Boy's BR @ (A)	SK	<2.5	-	-	None	-	-

### Lead in Drinking Water Test Results

As of 10/9/18

Sample Location	Fixture Type	1 <sup>st</sup> Draw Results (ppb)	15 Second Draw Results (ppb)	60 Second Draw Results (ppb)	Remedial Recommendation	Remedial Response	Post Remediation Test Results (ppb)
Main Hall Boy's BR @ (B)	SK	<2.5	-	-	None	-	-
Main Hall Girl's BR @ (A)	SK	<2.5	-	-	None	-	-
Main Hall Girl's BR @ (B)	SK	<2.5	-	-	None	-	-
Counseling Center Men's BR	SK	<2.5	-	-	None	-	-
Counseling Center Women's BR	SK	<2.5	-	-	None	-	-
Drama Lounge BR A	SK	<2.5	-	-	None	-	-
Drama Lounge BR B	SK	<2.5	-	-	None	-	-
Scene Shop	SK	<2.5	-	-	None	-	-
Men's BR by Orchestra	SK	<2.5	-	-	None	-	-
Girl's BR by Orchestra @ (A)	SK	<2.5	-	-	None	-	-
Girl's BR by Orchestra @ (B)	SK	<2.5	-	-	None	-	-
Boy's BR by RM 256 @ (A)	SK	<2.5	-	-	None	-	-
Boy's BR by RM 256 @ (B)	SK	<2.5	-	-	None	-	-
Boy's BR by RM 256 @ (C)	SK	<2.5	-	-	None	-	-
Girl's BR by RM 256 @ (A)	SK	<2.5	-	-	None	-	-
Girl's BR by RM 256 @ (B)	SK	<2.5	-	-	None	-	-
Girl's BR by RM 256 @ (C)	SK	<2.5	-	-	None	-	-
Boy's BR by RM S217 @ (A)	SK	6.5	-	-	None	-	-
Boy's BR by RM S217 @ (B)	SK	<2.5	-	-	None	-	-
Boy's BR by RM S217 @ (C)	SK	<2.5	-	-	None	-	-
Boy's BR by RM S217 @ (D)	SK	4.7	-	-	None	-	-
RM 278	SK	<2.5	-	-	None	-	-

### Lead in Drinking Water Test Results

As of 10/9/18

Sample Location	Fixture Type	1 <sup>st</sup> Draw Results (ppb)	15 Second Draw Results (ppb)	60 Second Draw Results (ppb)	Remedial Recommendation	Remedial Response	Post Remediation Test Results (ppb)
RM 313 BR	SK	<2.5	-	-	None	-	-
Men's Faculty BR by RM 303 @ (A)	SK	<2.5	-	-	None	-	-
Men's Faculty BR by RM 303 @ (B)	SK	<2.5	-	-	None	-	-
Women's Faculty BR by RM 306 @ (A)	SK	<2.5	-	-	None	-	-
Women's Faculty BR by RM 306 @ (B)	SK	<2.5	-	-	None	-	-
Central Office Kitchen	SK	<2.5	-	-	None	-	-
Superintendent Office BR	SK	7.3	-	-	None	-	-
RM 224 Counter @ (A)	SK	<2.5	-	-	None	-	-
RM 224 Counter @ (B)	SK	<2.5	-	-	None	-	-
<b>RM 224 Counter @ (C)</b>	<b>SK</b>	<b>18</b>			<b>FR</b>	<b>Completed FR</b>	<b>&lt;1.0</b>
<b>RM 224 Counter @ (D)</b>	<b>SK</b>	<b>23</b>			<b>FR</b>	<b>CAP</b>	<b>-</b>
RM 224 Counter @ (E)	SK	13	-	-	None	-	-
RM 224 Counter @ (F)	SK	11	-	-	None	-	-
RM 226 Counter @ (A)	SK	2.6	-	-	None	-	-
RM 226 Counter @ (B)	SK	<2.5	-	-	None	-	-
RM 226 Counter @ (C)	SK	<2.5	-	-	None	-	-
<b>RM 228 Counter @ (A)</b>	<b>SK</b>	<b>17</b>			<b>FR</b>	<b>Completed FR</b>	<b>&lt;1.0</b>
RM 228 Counter @ (B)	SK	3.4	-	-	None	-	-
RM 228 Counter @ (C)	SK	<2.5	-	-	None	-	-
RM 228 Counter @ (D)	SK	<2.5	-	-	None	-	-
Field House @ (A)	SK	7.4	-	-	None	-	-
Field House @ (B)	SK	<2.5	-	-	None	-	-

### Lead in Drinking Water Test Results

As of 10/9/18

Sample Location	Fixture Type	1 <sup>st</sup> Draw Results (ppb)	15 Second Draw Results (ppb)	60 Second Draw Results (ppb)	Remedial Recommendation	Remedial Response	Post Remediation Test Results (ppb)
Field House Women's BR	SK	<2.5	-	-	None	-	-
Field House Men's BR	SK	<2.5	-	-	None	-	-
<b>Field House Storage RM</b>	<b>SK</b>	<b>35</b>			<b>FR</b>	<b>CAP</b>	<b>Winterization</b>
Field House	IM	<2.5	-	-	None	-	-
Kitchen	IM	<2.5	-	-	None	-	-
Middle School	IM	<2.5	-	-	None	-	-
High School	IM	<2.5	-	-	None	-	-
Wrestling Room	SK	<2.5	-	-	None	-	-
Wrestling Room	IM	<2.5	-	-	None	-	-
3rd Fl. Hall	WF	1.9	-	-	None	-	-
2nd Fl. Main Hall by RM 210	WF	<1.0	-	-	None	-	-
2nd Fl. Main MS Library	WF	<1.0	-	-	None	-	-
2nd Fl. By RM 256	WF	1.2	-	-	None	-	-
2nd Fl. By RM 268	WF	<1.0	-	-	None	-	-
2nd Fl. By RM 278	WF	<1.0	-	-	None	-	-
1st Fl. By RM 176	WF	<1.0	-	-	None	-	-
1st Fl. By RM 168	WF	<1.0	-	-	None	-	-
1st Fl. By RM 168 [New Fixture 2018]	WF	<1.0	-	-	None	-	-
1st Fl. By RM 168 (Bottle Filler) [New Fixture 2018]	WF	<1.0	-	-	None	-	-
1st Fl. By RM 154	WF	<1.0	-	-	None	-	-
1st Fl. By RM 154 [New Fixture 2018]	WF	<1.0	-	-	None	-	-
1st Fl. By RM 154 (Bottle Filler) [New Fixture 2018]	WF	<1.0	-	-	None	-	-

### Lead in Drinking Water Test Results

As of 10/9/18

Sample Location	Fixture Type	1 <sup>st</sup> Draw Results (ppb)	15 Second Draw Results (ppb)	60 Second Draw Results (ppb)	Remedial Recommendation	Remedial Response	Post Remediation Test Results (ppb)
Lower Lev. Social Studies Hall	WF	<1.0	-	-	None	-	-
Lower Lev. By RM 56 [New Fixture 2018]	WF	<1.0	-	-	None	-	-
Lower Lev. By RM 56 (Bottle Filler) [New Fixture 2018]	WF	<1.0	-	-	None	-	-
1st Fl. By RM 143	WF	<1.0	-	-	None	-	-
Café	WF	<1.0	-	-	None	-	-
Teachers Café	WF	<1.0	-	-	None	-	-
Teachers Café (Faculty Area)	SS	3.1	-	-	None	-	-
1st Fl. By RM 118	WF	<1.0	-	-	None	-	-
Gym Hallway	WF	<1.0	-	-	None	-	-
Nurses Office	SK	2	-	-	None	-	-
MS Side Gym	WF	<1.0	-	-	None	-	-
HS Side Gym	WF	<1.0	-	-	None	-	-
Weight RM	WF	<1.0	-	-	None	-	-
Outside Fieldhouse	WF	<1.0	-	-	None	-	-
Inside Fieldhouse	WF	<1.0	-	-	None	-	-
Kitchen Prep	SK	<1.0	-	-	None	-	-
Hall by Room 108 [New Fixture 2018]	WF	<1.0	-	-	None	-	-
Hall by Room 108 (Bottle Filler) [New Fixture 2018]	WF	<1.0	-	-	None	-	-

## Code Key

### Remediation Type Codes

FR	=	Fixture replacement
FRSLV	=	Replacement of fixture, supply lines, and valves
FRSLVPA	=	Replacement of fixture, supply lines, valves and plumbing assessment
SIGN	=	Warning sign posting
CAP	=	Remove fixture or cap line

### Room ID Codes

CC	=	Custodian Closet
MPR	=	Multi Purpose Room
Café	=	Cafeteria
Sci	=	Science Lab
PE	=	Physical Ed
BR	=	Bathroom
LR	=	Locker Room
RM	=	Room

### Fixture Type Codes

WF	=	Water Fountain
SK	=	Sink
SS	=	Slop Sink
SP	=	Spigot
PF	=	Pot Filler
HB	=	Hose Bib
IM	=	Ice Machine
WC	=	Water Cooler
SH	=	Shower
SL	=	Supply Line

### Result Code

ND	=	Not Detected
<	=	Less Than
-	=	No Testing Required
#	=	When seen in the Post Remediation Test Results: after numerous failing tests, the Hashtag is used to show a passing result





Lead in Drinking Water Test Results

As of 10/9/18

Sample Location	Fixture Type	1 <sup>st</sup> Draw Results (ppb)	15 Sec Draw Results (ppb)	60 Second Draw Results (ppb)	Remedial Recommendation	Remedial Response	Post Remediation Test Results (ppb)
Kitchen Handwashing	SK	<1.0	-	-	None	-	-
Kitchen BR	SK	<1.0	-	-	None	-	-
Café	SK	<1.0	-	-	None	-	-
Music RM 134	SK	2.4	-	-	None	-	-
<b>Boys BR Auditorium (Left)</b>	<b>SK</b>	<b>22</b>			<b>FR</b>	<b>Completed FR</b>	<b>&lt;2.5</b>
Boys BR Auditorium (Right)	SK	<1.0	-	-	None	-	-
Girls BR Auditorium (Left)	SK	<1.0	-	-	None	-	-
Girls BR Auditorium (Right)	SK	<1.0	-	-	None	-	-
RM 130	SK	4	-	-	None	-	-
Rm 135	SK	1.5	-	-	None	-	-
Girls LR	SK	3.9	-	-	None	-	-
Boys LR	SK	3.9	-	-	None	-	-
RM 129	SK	<1.0	-	-	None	-	-
RM 130 (Left)	SK	2.5	-	-	None	-	-
RM 130 (Right)	SK	5.8	-	-	None	-	-
RM 119	SK	9.2	-	-	None	-	-
4th Grade Girls BR (Left)	SK	1.8	-	-	None	-	-
4th Grade Girls BR (Right)	SK	1.5	-	-	None	-	-
Teacher BR by RM 121	SK	<1.0	-	-	None	-	-
Teacher BR by RM 121 (Men)	SK	5.1	-	-	None	-	-
RM 121	SK	4.6	-	-	None	-	-
RM 121A	SK	<1.0	-	-	None	-	-
Principal BR	SK	<1.0	-	-	None	-	-

Lead in Drinking Water Test Results

As of 10/9/18

Sample Location	Fixture Type	1 <sup>st</sup> Draw Results (ppb)	15 Sec Draw Results (ppb)	60 Second Draw Results (ppb)	Remedial Recommendation	Remedial Response	Post Remediation Test Results (ppb)
Main Office BR	SK	1.5	-	-	None	-	-
Nurse Office BR	SK	<1.0	-	-	None	-	-
4th Grade Boys BR (Left)	SK	<1.0	-	-	None	-	-
4th Grade Boys BR (Right)	SK	2.3	-	-	None	-	-
Boys Opposite of RM 110 (Left)	SK	1.2	-	-	None	-	-
Boys Opposite of RM 110 (Right)	SK	1.1	-	-	None	-	-
RM 111	SK	4.4	-	-	None	-	-
RM 114	SK	<1.0	-	-	None	-	-
Girls BR by Rm 113 (Left)	SK	1.6	-	-	None	-	-
Girls BR by RM 113 (Right)	SK	2.3	-	-	None	-	-
RM K01 BR	SK	2	-	-	None	-	-
RM K01	SK	<1.0	-	-	None	-	-
RM K02 BR	SK	2.7	-	-	None	-	-
RM K02	SK	2	-	-	None	-	-
RM K03 BR	SK	1.7	-	-	None	-	-
RM K03	SK	2.1	-	-	None	-	-
RM K04 BR	SK	4.3	-	-	None	-	-
RM K04	SK	4.2	-	-	None	-	-
Kindergarten Boys BR (Left)	SK	4.6	-	-	None	-	-
<b>Kindergarten Boys BR (Right)</b>	<b>SK</b>	<b>114</b>			<b>FR</b>	<b>Completed FR</b>	<b>&lt;2.5</b>
Kindergarten Girls BR (Left)	SK	2.7	-	-	None	-	-
<b>Kindergarten Girls BR (Right)</b>	<b>SK</b>	<b>644</b>			<b>FR</b>	<b>Completed FR</b>	<b>&lt;2.5</b>
Teachers BR Kindergarten Wing	SK	1.7	-	-	None	-	-

Lead in Drinking Water Test Results

As of 10/9/18

Sample Location	Fixture Type	1 <sup>st</sup> Draw Results (ppb)	15 Sec Draw Results (ppb)	60 Second Draw Results (ppb)	Remedial Recommendation	Remedial Response	Post Remediation Test Results (ppb)
Girls BR by RM 103 (Left)	SK	1.7	-	-	None	-	-
Girls BR by RM 103 (Right)	SK	3.1	-	-	None	-	-
Boys BR by RM 104 (Left)	SK	2.4	-	-	None	-	-
Boys BR by RM 104 (Right)	SK	<1.0	-	-	None	-	-
Teachers BR Opposite of RM 104	SK	<1.0	-	-	None	-	-
RM 104	SK	14	-	-	None	Flushed/Retested	15 (10/25/2016)
RM 103	SK	11	-	-	None	Flushed/Retested	3.9 (10/25/2016)
RM 102	SK	20			FR	Completed FR	2.5
RM 101	SK	43			FR	Completed FR	6.9
RM 105	SK	16			FR	Completed FR	67 (10/25/2016) 21 (12/7/2016) #7.6 (12/16/2016)
RM 106	SK	<1.0	-	-	None	-	-
Girls BR by RM 203 (Left)	SK	<1.0	-	-	None	-	-
Girls BR by RM 203 (Right)	SK	32			FR	Completed FR	<2.5
Boys BR by RM 204 (Left)	SK	6.5	-	-	None	-	-
Boys BR by RM 204 (Right)	SK	1.7	-	-	None	-	-
Teacher BR by RM 204	SK	<1.0	-	-	None	-	-
RM 204	SK	9.3	-	-	None	-	-
Rm 203	SK	28			FR	Completed FR	<2.5
RM 202	SK	15	-	-	None	Flushed/Retested	<2.5 (10/25/2016)
RM 201	SK	32			FR	Completed FR	<2.5
RM 205	SK	5	-	-	None	-	-

Lead in Drinking Water Test Results

As of 10/9/18

Sample Location	Fixture Type	1 <sup>st</sup> Draw Results (ppb)	15 Sec Draw Results (ppb)	60 Second Draw Results (ppb)	Remedial Recommendation	Remedial Response	Post Remediation Test Results (ppb)
RM 206	SK	21			FR	Completed FR	<2.5
Boys BR by RM 201 (Left)	SK	1.3	-	-	None	-	-
Boys BR by RM 202 (Right)	SK	2.5	-	-	None	-	-
RM 211 (Left)	SK	<1.0	-	-	None	-	-
RM 211 (Right)	SK	1	-	-	None	-	-
Girls BR by RM 213 (Left)	SK	1.1	-	-	None	-	-
Girls BR by RM 213 (Right)	SK	<1.0	-	-	None	-	-
RM 217	SK	3.9	-	-	None	-	-
RM 230	SK	2.1	-	-	None	-	-
Science RM 231 (Left)	SK	8.4	-	-	None	-	-
Science RM 231 (Center)	SK	6.9	-	-	None	-	-
Science RM 231 (Right)	SK	6.9	-	-	None	-	-
Science RM 231 (Extreme R)	SK	2.6	-	-	None	-	-
RM 229	SK	1.4	-	-	None	-	-
Boys BR Opposite RM 229 (Left)	SK	3.4	-	-	None	-	-
Boys BR Opposite RM 229 (Right)	SK	2.8	-	-	None	-	-
RM 228	SK	5.8	-	-	None	-	-
Girls BR Opposite RM 220 (Left)	SK	4.3	-	-	None	-	-
Girls BR Opposite RM 220 (Right)	SK	2.9	-	-	None	-	-
RM 220 BR	SK	<1.0	-	-	None	-	-
RM 220	SK	4.6	-	-	None	-	-
RM 224 (Left)	SK	5.2	-	-	None	-	-
RM 224 (Right)	SK	3.3	-	-	None	-	-

### Lead in Drinking Water Test Results

As of 10/9/18

Sample Location	Fixture Type	1 <sup>st</sup> Draw Results (ppb)	15 Sec Draw Results (ppb)	60 Second Draw Results (ppb)	Remedial Recommendation	Remedial Response	Post Remediation Test Results (ppb)
RM 225 (Left)	SK	4.8	-	-	None	-	-
RM 225 (Right)	SK	2.1	-	-	None	-	-
RM 225 (Center)	SK	2	-	-	None	-	-
Hall by RM 121	WF	<2.5	-	-	None	-	-
Hall by RM 121 [New Fixture 2018]	WF	<1.0	-	-	None	-	-
Hall by RM 121 (Bottle Filler) [New Fixture 2018]	WF	<1.0	-	-	None	-	-
Hall by RM 129	WF	<2.5	-	-	None	-	-
Hall by RM 129 [New Fixture 2018]	WF	<1.0	-	-	None	-	-
Hall by RM 129 (Bottle Filler) [New Fixture 2018]	WF	<1.0	-	-	None	-	-
<b>Gym Hallway (Left)</b>	<b>WF</b>	<b>63</b>	<b>4.8</b>	<b>&lt;2.5</b>	<b>FR</b>	<b>Completed FR</b>	<b>&lt;1.0</b>
Gym Hallway (Right)	WF	2.7	-	-	None	-	-
Gym Hallway (Right) [New Fixture 2018]	WF	<1.0	-	-	None	-	-
Gym Hallway (Right) (Bottle Filler) [New Fixture 2018]	WF	<1.0	-	-	None	-	-
Music Wing	WF	<2.5	-	-	None	-	-
Music Wing [New Fixture 2018]	WF	<1.0	-	-	None	-	-
Music Wing (Bottle Filler) [New Fixture 2018]	WF	<1.0	-	-	None	-	-
Lunch RM	WF	<2.5	-	-	None	-	-
<b>Library</b>	<b>SK</b>	<b>39</b>	<b>&lt;2.5</b>	<b>&lt;2.5</b>	<b>FR</b>	<b>Completed FR</b>	<b>5.5</b>
Hall by RM 113	WF	<2.5	-	-	None	-	-
Hall by RM 113 [New Fixture 2018]	WF	<1.0	-	-	None	-	-

Lead in Drinking Water Test Results

As of 10/9/18

Sample Location	Fixture Type	1 <sup>st</sup> Draw Results (ppb)	15 Sec Draw Results (ppb)	60 Second Draw Results (ppb)	Remedial Recommendation	Remedial Response	Post Remediation Test Results (ppb)
Hall by RM 113 (Bottle Filler) [New Fixture 2018]	WF	<1.0	-	-	None	-	-
Hall by RM K03	WF	<2.5	-	-	None	-	-
Hall by RM 203	WF	5.2	-	-	None	-	-
Hall by RM 208	WF	10	-	-	None	-	-
Hall by RM 208 (Retest)	WF	<2.5	<2.5	<2.5	None	-	-
Hall by RM 218	WF	<2.5	-	-	None	-	-
Hall by RM 218 [New Fixture 2018]	WF	<1.0	-	-	None	-	-
Hall by RM 218 (Bottle Filler) [New Fixture 2018]	WF	<1.0	-	-	None	-	-
RM 226 (Faculty BR)	SK	2.9	-	-	None	-	-
Hall by RM 223	WF	<2.5	-	-	None	-	-
<b>Kitchen</b>	<b>SK</b>	<b>24</b>	<b>&lt;2.5</b>	<b>&lt;2.5</b>	<b>FR</b>	<b>Completed FR</b>	<b>&lt;1.0</b>
Health Office	SK	8.7	-	-	None	-	-
Health Office (Retest)	SK	9.1	2.8	<2.5	None	Replaced Faucet	<1.0 (8/10/2016)
Auditorium Lobby	WF	<2.5	<2.5	<2.5	None	-	-
Auditorium Lobby [New Fixture 2018]	WF	<1.0	-	-	None	-	-
Auditorium Lobby (Bottle Filler) [New Fixture 2018]	WF	<1.0	-	-	None	-	-
Hall by RMs 108 & 109 [New Fixture 2018]	WF	<1.0	-	-	None	-	-
Hall by RMs 108 & 109 (Bottle Filler) [New Fixture 2018]	WF	<1.0	-	-	None	-	-
Hall by RM 103 [New Fixture 2018]	WF	<1.0	-	-	None	-	-
Hall by RM 103 (Bottle Filler) [New Fixture 2018]	WF	<1.0	-	-	None	-	-

## Code Key

### Remediation Type Codes

FR	=	Fixture replacement
FRSLV	=	Replacement of fixture, supply lines, and valves
FRSLVPA	=	Replacement of fixture, supply lines, valves and plumbing assessment
SIGN	=	Warning sign posting
CAP	=	Remove fixture or cap line

### Room ID Codes

CC	=	Custodian Closet
MPR	=	Multi Purpose Room
Café	=	Cafeteria
Sci	=	Science Lab
PE	=	Physical Ed
BR	=	Bathroom
LR	=	Locker Room
RM	=	Room

### Fixture Type Codes

WF	=	Water Fountain
SK	=	Sink
SS	=	Slop Sink
SP	=	Spigot
PF	=	Pot Filler
HB	=	Hose Bib
IM	=	Ice Machine
WC	=	Water Cooler
SH	=	Shower
SL	=	Supply Line

### Result Code

ND	=	Not Detected
<	=	Less Than
-	=	No Testing Required
#	=	When seen in the Post Remediation Test Results: after numerous failing tests, the Hashtag is used to show a passing result



Lead in Drinking Water Test Results

As of 10/9/18

Sample Location	Fixture Type	1 <sup>st</sup> Draw Results (ppb)	15 Second Draw Results (ppb)	60 Second Draw Results (ppb)	Remedial Recommendation	Remedial Response	Post Remediation Test Results (ppb)
Women LR	SK	<2.5	-	-	None	-	-
Men LR	SK	<2.5	-	-	None	-	-
Kitchen Handwash	SK	<2.5	-	-	None	-	-
Kitchen Food Prep	SK	<2.5	-	-	None	-	-
Kitchen SK next to Food Prep	SK	<2.5	-	-	None	-	-
Kitchen Spray Wash SK	SPRAY	<2.5	-	-	None	-	-
Boys BR by Kitchen (Left)	SK	<2.5	-	-	None	-	-
Boys BR by Kitchen (Right)	SK	<2.5	-	-	None	-	-
Girls BR by Kitchen (Left)	SK	<2.5	-	-	None	-	-
Girls BR by Kitchen (Right)	SK	<2.5	-	-	None	-	-
Music RM 035	SK	3.3	-	-	None	-	-
RM 033	SK	<2.5	-	-	None	-	-
RM 032 BR	SK	<2.5	-	-	None	-	-
RM 032	SK	<2.5	-	-	None	-	-
Womens Teacher BR	SK	<2.5	-	-	None	-	-
Mens Teacher BR	SK	<2.5	-	-	None	-	-
Health Room	SK	<2.5	-	-	None	-	-
<b>RM 39-40</b>	<b>SK</b>	<b>42</b>			<b>FR</b>	<b>Completed FR</b>	<b>3.7</b>
Women BR by Computer RM	SK	<2.5	-	-	None	-	-
Principal BR	SK	<2.5	-	-	None	-	-
Science Office	SK	<2.5	-	-	None	-	-
<b>Science Storage RM</b>	<b>SK</b>	<b>156</b>			<b>FR</b>	<b>CAP</b>	<b>-</b>
Science RM Stainless	SK	<2.5	-	-	None	-	-



Lead in Drinking Water Test Results

As of 10/9/18

Sample Location	Fixture Type	1 <sup>st</sup> Draw Results (ppb)	15 Second Draw Results (ppb)	60 Second Draw Results (ppb)	Remedial Recommendation	Remedial Response	Post Remediation Test Results (ppb)
Science RM by Store RM	SK	233			FR	Completed FR	<2.5
Health BR	SK	<2.5	-	-	None	-	-
Girls Kindergarten BR	SK	<2.5	-	-	None	-	-
Boys Kindergarten BR	SK	<2.5	-	-	None	-	-
RM K-2 BR	SK	18			FR	Completed FR	<2.5
RM K-2	SK	<2.5	-	-	None	-	-
RM K-1 BR	SK	<2.5	-	-	None	-	-
RM K-1	SK	<2.5	-	-	None	-	-
RM K-4 BR	SK	<2.5	-	-	None	-	-
RM K-4	SK	<2.5	-	-	None	-	-
RM K-3 BR	SK	<2.5	-	-	None	-	-
RM K-6 BR	SK	3.9	-	-	None	-	-
RM K-6	SK	<2.5	-	-	None	-	-
RM K-5 BR	SK	<2.5	-	-	None	-	-
RM K-5	SK	<2.5	-	-	None	-	-
RM K-8 Bubblers	WF	<2.5	-	-	None	-	-
RM K-8 BR	SK	<2.5	-	-	None	-	-
RM K-8	SK	<2.5	-	-	None	-	-
RM K-7 Bubblers	WF	<2.5	-	-	None	-	-
RM K-7 BR	SK	<2.5	-	-	None	-	-
RM K-7	SK	<2.5	-	-	None	-	-
RM 009 Bubblers	WF	<2.5	-	-	None	-	-
RM 009	SK	<2.5	-	-	None	-	-

Lead in Drinking Water Test Results

As of 10/9/18

Sample Location	Fixture Type	1 <sup>st</sup> Draw Results (ppb)	15 Second Draw Results (ppb)	60 Second Draw Results (ppb)	Remedial Recommendation	Remedial Response	Post Remediation Test Results (ppb)
RM 010 Bubblers	WF	<2.5	-	-	None	-	-
RM 010	SK	<2.5	-	-	None	-	-
RM 011 Bubblers	WF	<2.5	-	-	None	-	-
RM 011	SK	<2.5	-	-	None	-	-
RM 22 Bubblers	WF	<2.5	-	-	None	-	-
RM 22	SK	<2.5	-	-	None	-	-
RM 23 Bubblers	WF	<2.5	-	-	None	-	-
RM 23	SK	<2.5	-	-	None	-	-
RM 24 Bubblers	WF	5	-	-	None	-	-
RM 24	SK	2.8	-	-	None	-	-
RM 25 Bubblers	WF	<2.5	-	-	None	-	-
RM 25	SK	4.4	-	-	None	-	-
RM 26 Bubblers	WF	<2.5	-	-	None	-	-
RM 26	SK	<2.5	-	-	None	-	-
Mens BR 5th Grade	SK	<2.5	-	-	None	-	-
Womens BR 5th Grade	SK	<2.5	-	-	None	-	-
5th Grade Girls BR (Left)	SK	<2.5	-	-	None	-	-
5th Grade Girls BR (Center)	SK	<2.5	-	-	None	-	-
5th Grade Girls BR (Right)	SK	2.5	-	-	None	-	-
5th Grade Boys BR (Left)	SK	<2.5	-	-	None	-	-
5th Grade Boys BR (Center)	SK	<2.5	-	-	None	-	-
5th Grade Boys BR (Right)	SK	4.3	-	-	None	-	-
6th Grade Boys BR (Left)	SK	5.1	-	-	None	-	-

Lead in Drinking Water Test Results

As of 10/9/18

Sample Location	Fixture Type	1 <sup>st</sup> Draw Results (ppb)	15 Second Draw Results (ppb)	60 Second Draw Results (ppb)	Remedial Recommendation	Remedial Response	Post Remediation Test Results (ppb)
6th Grade Boys BR (Right)	SK	3.5	-	-	None	-	-
6th Grade Girls BR (Left)	SK	<2.5	-	-	None	-	-
6th Grade Girls BR (Right)	SK	2.7	-	-	None	-	-
RM 27 (Left)	SK	<2.5	-	-	None	-	-
RM 27 (Center)	SK	<2.5	-	-	None	-	-
RM 27 (Right)	SK	<2.5	-	-	None	-	-
RM 28 (Left)	SK	<2.5	-	-	None	-	-
RM 28 (Center)	SK	<2.5	-	-	None	-	-
RM 28 (Right)	SK	<2.5	-	-	None	-	-
RM 29 (Center)	SK	15	-	-	None	Replaced	<2.5
<b>RM 30</b>	<b>SK</b>	<b>33</b>			<b>FR</b>	<b>Completed FR</b>	<b>&lt;2.5</b>
<b>RM 31</b>	<b>SK</b>	<b>36</b>			<b>FR</b>	<b>Completed FR</b>	<b>3</b>
6th Grade Teachers BR	SK	6.1	-	-	None	-	-
Art RM (Left)	SK	<2.5	-	-	None	-	-
Art RM (Center)	SK	<2.5	-	-	None	-	-
Art RM (Right)	SK	<2.5	-	-	None	-	-
<b>Library</b>	<b>SK</b>	<b>16</b>			<b>FR</b>	<b>Completed FR</b>	<b>18 (10/25/2016) &lt;1.0 (12/7/2016)</b>
RM 21	SK	<2.5	-	-	None	-	-
RM 21 BR (Left)	SK	<2.5	-	-	None	-	-
RM 21 BR (Right)	SK	<2.5	-	-	None	-	-
2nd Grade Teachers BR	SK	<2.5	-	-	None	-	-
2nd Grade Girls BR (Left)	SK	5	-	-	None	-	-
2nd Grade Girls BR (Center)	SK	<2.5	-	-	None	-	-

Lead in Drinking Water Test Results

As of 10/9/18

Sample Location	Fixture Type	1 <sup>st</sup> Draw Results (ppb)	15 Second Draw Results (ppb)	60 Second Draw Results (ppb)	Remedial Recommendation	Remedial Response	Post Remediation Test Results (ppb)
2nd Grade Girls BR (Right)	SK	3.8	-	-	None	-	-
2nd Grade Boys (Left)	SK	4	-	-	None	-	-
2nd Grade Boys (Center)	SK	2.5	-	-	None	-	-
2nd Grade Boys (Right)	SK	<2.5	-	-	None	-	-
RM 12 Bubbler	WF	8	-	-	None	-	-
RM 12	SK	<2.5	-	-	None	-	-
RM 13 Bubbler	WF	6.5	-	-	None	-	-
RM 13	SK	4.7	-	-	None	-	-
RM 14 Bubbler	WF	4.6	-	-	None	-	-
RM 14	SK	<2.5	-	-	None	-	-
RM 15 Bubbler	WF	6.6	-	-	None	-	-
RM 15	SK	<2.5	-	-	None	-	-
RM 16	SK	4	-	-	None	-	-
4th Grade Teachers BR	SK	<2.5	-	-	None	-	-
4th Grade Boys BR (Left)	SK	<2.5	-	-	None	-	-
4th Grade Boys BR (Center)	SK	<2.5	-	-	None	-	-
4th Grade Boys BR (Right)	SK	<2.5	-	-	None	-	-
4th Grade Girls BR (Left)	SK	<2.5	-	-	None	-	-
4th Grade Girls BR (Center)	SK	<2.5	-	-	None	-	-
4th Grade Girls BR (Right)	SK	<2.5	-	-	None	-	-
<b>RM 44 Bubbler</b>	<b>WF</b>	<b>59</b>			<b>FR</b>	<b>Completed FR</b>	<b>5.2</b>
RM 44	SK	4.1	-	-	None	-	-
RM 45 Bubbler	WF	<2.5	-	-	None	-	-

Lead in Drinking Water Test Results

As of 10/9/18

Sample Location	Fixture Type	1 <sup>st</sup> Draw Results (ppb)	15 Second Draw Results (ppb)	60 Second Draw Results (ppb)	Remedial Recommendation	Remedial Response	Post Remediation Test Results (ppb)
RM 45	SK	2.7	-	-	None	-	-
RM 41 Bubblers	WF	<2.5	-	-	None	-	-
RM 41	SK	<2.5	-	-	None	-	-
RM 42 Bubblers	WF	2.7	-	-	None	-	-
RM 42	SK	<2.5	-	-	None	-	-
RM 43 Bubblers	WF	<2.5	-	-	None	-	-
RM 43	SK	<2.5	-	-	None	-	-
RM 46 Bubblers	WF	<2.5	-	-	None	-	-
RM 46	SK	3.3	-	-	None	-	-
RM 47	SK	<2.5	-	-	None	-	-
<b>RM 48 Bubblers</b>	<b>WF</b>	<b>20</b>			<b>FR</b>	<b>Completed FR</b>	<b>18 (10/25/2016) &lt;1.0 (12/7/2016)</b>
RM 48	SK	<2.5	-	-	None	-	-
RM 49 Bubblers	WF	14	-	-	None	Replaced	7.5 (10/25/2016)
RM 49	SK	<2.5	-	-	None	-	-
RM 50 Bubblers	WF	10	-	-	None	Replaced	New Sample Taken
RM 50	SK	<2.5	-	-	None	-	-
3rd Grade Teachers BR	SK	<2.5	-	-	None	-	-
3rd Grade Girls (Left)	SK	<2.5	-	-	None	-	-
3rd Grade Girls (Center)	SK	<2.5	-	-	None	-	-
3rd Grade Girls (Right)	SK	<2.5	-	-	None	-	-
3rd Grade Boys (Left)	SK	<2.5	-	-	None	-	-
3rd Grade Boys (Center)	SK	<2.5	-	-	None	-	-
3rd Grade Boys (Right)	SK	<2.5	-	-	None	-	-

Lead in Drinking Water Test Results

As of 10/9/18

Sample Location	Fixture Type	1 <sup>st</sup> Draw Results (ppb)	15 Second Draw Results (ppb)	60 Second Draw Results (ppb)	Remedial Recommendation	Remedial Response	Post Remediation Test Results (ppb)
RM 51 Bubblers	WF	<2.5	-	-	None	-	-
RM 51	SK	<2.5	-	-	None	-	-
RM 52 Bubblers	WF	<2.5	-	-	None	-	-
RM 52	SK	<2.5	-	-	None	-	-
RM 53 Bubblers	WF	<2.5	-	-	None	-	-
RM 53	SK	<2.5	-	-	None	-	-
RM 54 Bubblers	WF	<2.5	-	-	None	-	-
RM 54	SK	<2.5	-	-	None	-	-
<b>RM 55 Bubblers</b>	<b>WF</b>	<b>43</b>			<b>FR</b>	<b>Completed FR</b>	<b>&lt;2.5</b>
RM 55	SK	<2.5	-	-	None	-	-
Girls LR (Left)	SK	3.8	-	-	None	-	-
Girls LR (Right)	SK	5.3	-	-	None	-	-
Coaches BR	SK	<2.5	-	-	None	-	-
Boys LR (Left)	SK	12	-	-	None	Flushed/Retested	New Sample Taken
Boys LR (Right)	SK	12	-	-	None	Flushed/Retested	New Sample Taken
Boys Coaches BR	SK	<2.5	-	-	None	-	-
Hall by RM 032	WF	<2.5	-	-	None	-	-
Hall by RM 032 [New Fixture 2018]	WF	<1.0	-	-	None	-	-
Hall by RM 032 (Bottle Filler) [New Fixture 2018]	WF	<1.0	-	-	None	-	-
Food Prep Kitchen	SK	<2.5	-	-	None	-	-
3 Compartment Kitchen	SK	<2.5	-	-	None	-	-
Hall by Stage	SK	<2.5	-	-	None	-	-
<b>Outside of Gym</b>	<b>WF</b>	<b>39</b>	<b>68</b>	<b>9.3</b>	<b>FRSLV</b>	<b>CAP</b>	<b>-</b>

Lead in Drinking Water Test Results

As of 10/9/18

Sample Location	Fixture Type	1 <sup>st</sup> Draw Results (ppb)	15 Second Draw Results (ppb)	60 Second Draw Results (ppb)	Remedial Recommendation	Remedial Response	Post Remediation Test Results (ppb)
Outside of Gym [New Fixture 2018]	WF	<1.0	-	-	None	-	-
Outside of Gym (Bottle Filler) [New Fixture 2018]	WF	<1.0	-	-	None	-	-
Hall by Storage #3	WF	<2.5	-	-	None	-	-
Hall by Storage #3 [New Fixture 2018]	WF	<1.0	-	-	None	-	-
Hall by Storage #3 (Bottle Filler) [New Fixture 2018]	WF	<1.0	-	-	None	-	-
Hall by RM 027	WF	<2.5	-	-	None	-	-
Hall by RM 027 [New Fixture 2018]	WF	<1.0	-	-	None	-	-
Hall by RM 027 (Bottle Filler) [New Fixture 2018]	WF	<1.0	-	-	None	-	-
Hall by Storage #2	WF	<2.5	-	-	None	-	-
Kindergarten Hall by RM 01A	WF	9.2	-	-	None	-	-
<b>Kindergarten Hall by RM 01A (Retest)</b>	<b>WF</b>	<b>17</b>	<b>7.8</b>	<b>3.5</b>	<b>FR</b>	<b>Completed FR</b>	<b>&lt;2.5</b>
Kindergarten Hall by RM 01A [New Fixture 2018]	WF	<1.0	-	-	None	-	-
Kindergarten Hall by RM 01A (Bottle Filler) [New Fixture 2018]	WF	<1.0	-	-	None	-	-
Nurses Office	SK	<2.5	-	-	None	-	-
Hall by Storage #5	WF	<2.5	-	-	None	-	-
Hall by Storage #5 [New Fixture 2018]	WF	<1.0	-	-	None	-	-
Hall by Storage #5 (Bottle Filler) [New Fixture 2018]	WF	<1.0	-	-	None	-	-
Hall by Storage #4	WF	<2.5	-	-	None	-	-
Faculty Lounge	SK	<2.5	-	-	None	-	-
<b>Btw RMs 40 &amp; 39</b>	<b>WF</b>	<b>16</b>	<b>40</b>	<b>39</b>	<b>FRSLVPA</b>	<b>Completed FRSLVPA</b>	<b>&lt;2.5</b>
Btw RMs 40 & 39 [New Fixture 2018]	WF	<1.0	-	-	None	-	-

Lead in Drinking Water Test Results

As of 10/9/18

Sample Location	Fixture Type	1 <sup>st</sup> Draw Results (ppb)	15 Second Draw Results (ppb)	60 Second Draw Results (ppb)	Remedial Recommendation	Remedial Response	Post Remediation Test Results (ppb)
Btw RMs 40 & 39 (Bottle Filler) [New Fixture 2018]	WF	<1.0	-	-	None	-	-
Outside Café	WF	<2.5	-	-	None	-	-
RM K1	WF	<2.5	-	-	None	-	-
RM K2	WF	<2.5	-	-	None	-	-
RM K4	WF	2.9	-	-	None	-	-
RM K6	WF	<2.5	-	-	None	-	-
RM K5	WF	<2.5	-	-	None	-	-
Inside Café	WF	382	211	44	FRSLVPA	CAP	-
RM 50 Bubbler (10/25/2016)	WF	28			FR	Completed FR	<1.0 (12/7/2016)
Boys LR (Left) (10/25/2016)	SK	49			FR	Completed FR	18 (12/7/2016) 426 (12/16/2016) 17 (1/11/2017) #11 (1/25/2017)
Boys LR (Right) (10/25/2016)	SK	83			FR	Completed FR	23 (12/7/2016) 240 (12/16/2016) <1.0 (1/11/2017)
Small Gym [New Fixture 2018]	WF	<1.0	-	-	None	-	-



## Code Key

### Remediation Type Codes

FR	=	Fixture replacement
FRSLV	=	Replacement of fixture, supply lines, and valves
FRSLVPA	=	Replacement of fixture, supply lines, valves and plumbing assessment
SIGN	=	Warning sign posting
CAP	=	Remove fixture or cap line

### Room ID Codes

CC	=	Custodian Closet
MPR	=	Multi Purpose Room
Café	=	Cafeteria
Sci	=	Science Lab
PE	=	Physical Ed
BR	=	Bathroom
LR	=	Locker Room
RM	=	Room

### Fixture Type Codes

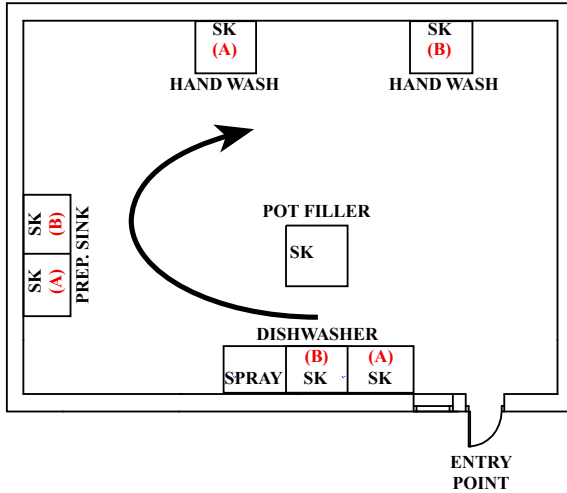
WF	=	Water Fountain
SK	=	Sink
SS	=	Slop Sink
SP	=	Spigot
PF	=	Pot Filler
HB	=	Hose Bib
IM	=	Ice Machine
WC	=	Water Cooler
SH	=	Shower
SL	=	Supply Line

### Result Code

ND	=	Not Detected
<	=	Less Than
-	=	No Testing Required
#	=	When seen in the Post Remediation Test Results: after numerous failing tests, the Hashtag is used to show a passing result



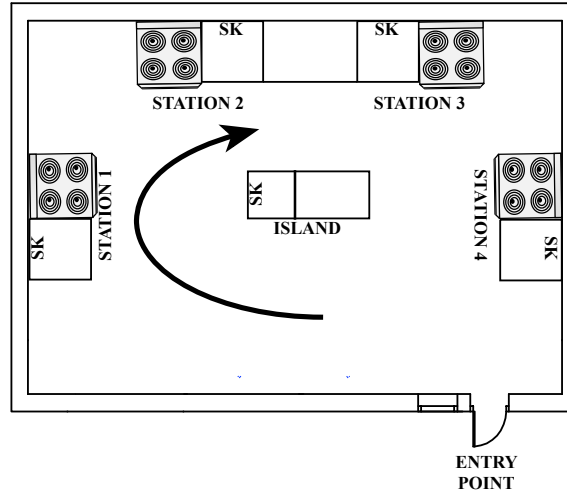
**KITCHEN  
DIAGRAM**



**SAMPLE IDENTIFICATION (example)**

LOCATION	SOURCE
Kitchen Dishwash Station @ (A)	SK
Kitchen Dishwash Station @ (B)	SK
Kitchen Dishwasher	SPRAY
Prep. Sink @ (A)	SK
Prep. Sink @ (B)	SK
Kitchen Hand Wash @ (A)	SK
Kitchen Hand Wash @ (B)	SK
Kitchen Pot Filler	SK

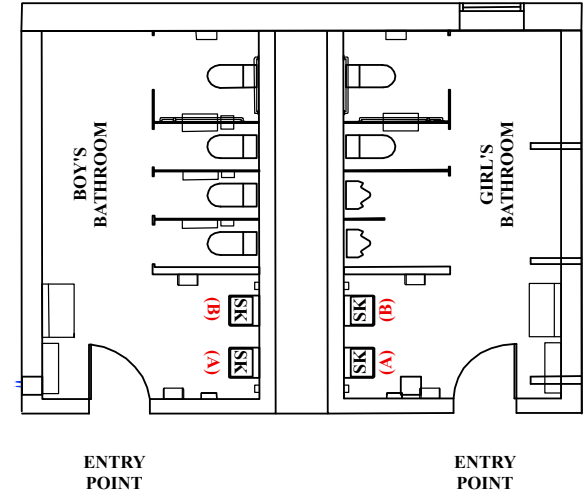
**HOME ECONOMICS / CAREER  
DIAGRAM**



**SAMPLE IDENTIFICATION (example)**

LOCATION	SOURCE
Carrier RM - Station 1	SK
Carrier RM - Station 2	SK
Carrier RM - Station 3	SK
Carrier RM - Station 4	SK
Carrier RM - Island	SK

**GANG BATHROOM  
DIAGRAM**



**SAMPLE IDENTIFICATION (example)**

LOCATION	SOURCE
Girl's BR @ (A)	SK
Girl's BR @ (B)	SK
Boy's BR @ (A)	SK
Boy's BR @ (B)	SK



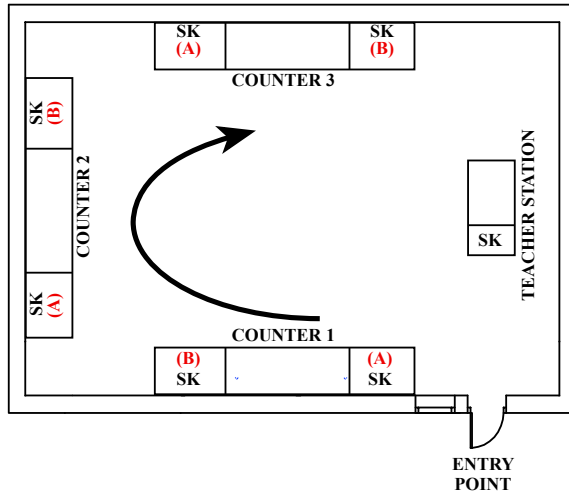
ENVIROSCIENCE  
CONSULTANTS, INC.  
2150 SMITHTOWN AVENUE  
RONKONKOMA, NY 11779  
(631) 580-3191  
FAX 580-3195  
www.envirohealth.org

KEY PLAN  
NO SCALE

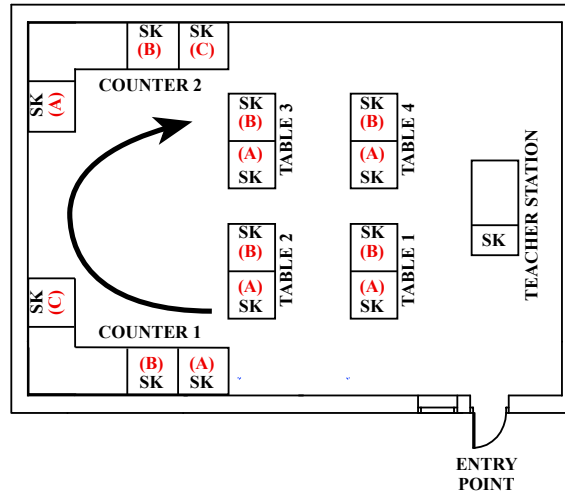
**WATER SAMPLING METHODOLOGY**

NOT TO SCALE  
Date: 9/26/2016  
By: Robert Cardona

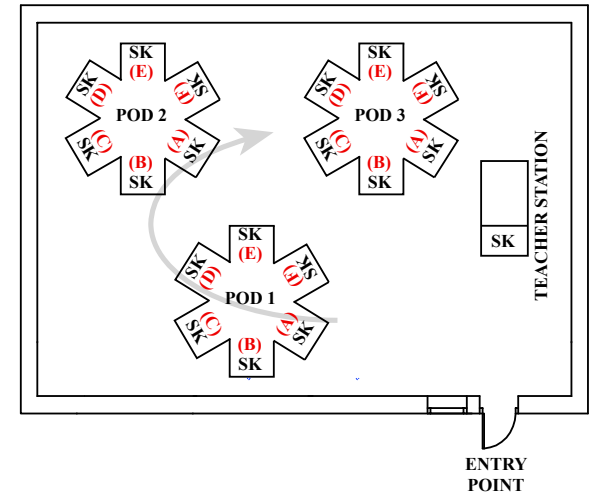
**SCIENCE ROOM TYPE 1  
DIAGRAM**



**SCIENCE ROOM TYPE 2  
DIAGRAM**



**SCIENCE ROOM TYPE 3  
DIAGRAM**



**SAMPLE IDENTIFICATION (example)**

LOCATION	SOURCE
Room 200 - Teacher Station	SK
Room 200 - Counter 1 @ (A)	SK
Room 200 - Counter 1 @ (B)	SK
Room 200 - Counter 2 @ (A)	SK
Room 200 - Counter 2 @ (B)	SK
Room 200 - Counter 3 @ (A)	SK
Room 200 - Counter 3 @ (B)	SK

**SAMPLE IDENTIFICATION (example)**

LOCATION	SOURCE
Room 200 - Teacher Station	SK
Room 200 - Table 1 @ (A)	SK
Room 200 - Table 1 @ (B)	SK
Room 200 - Table 2 @ (A)	SK
Room 200 - Table 2 @ (B)	SK
Room 200 - Table 3 @ (A)	SK
Room 200 - Table 3 @ (B)	SK
Room 200 - Table 4 @ (A)	SK
Room 200 - Table 4 @ (B)	SK
Room 200 - Counter 1 @ (A)	SK
Room 200 - Counter 1 @ (B)	SK
Room 200 - Counter 1 @ (C)	SK
Room 200 - Counter 2 @ (A)	SK
Room 200 - Counter 2 @ (B)	SK
Room 200 - Counter 2 @ (C)	SK

**SAMPLE IDENTIFICATION (example)**

LOCATION	SOURCE
Room 200 - Teacher Station	SK
Room 200 - POD 1 @ (A)	SK
Room 200 - POD 1 @ (B)	SK
Room 200 - POD 1 @ (C)	SK
Room 200 - POD 1 @ (D)	SK
Room 200 - POD 1 @ (E)	SK
Room 200 - POD 1 @ (F)	SK
Room 200 - POD 2 @ (A)	SK
Room 200 - POD 2 @ (B)	SK
Room 200 - POD 2 @ (C)	SK
Room 200 - POD 2 @ (D)	SK
Room 200 - POD 2 @ (E)	SK
Room 200 - POD 2 @ (F)	SK
Room 200 - POD 3 @ (A)	SK
Room 200 - POD 3 @ (B)	SK
Room 200 - POD 3 @ (C)	SK
Room 200 - POD 3 @ (D)	SK
Room 200 - POD 3 @ (E)	SK
Room 200 - POD 3 @ (F)	SK



ENVIROSCIENCE  
CONSULTANTS, INC  
2150 SMITHTOWN AVENUE  
RONKONKOMA, NY 11779  
(631) 580-3191  
FAX 580-3195  
www.envirohealth.org

KEY PLAN  
NO SCALE

**WATER SAMPLING METHODOLOGY**

NOT TO SCALE

Date: 9/26/2016

By: Robert Cardona